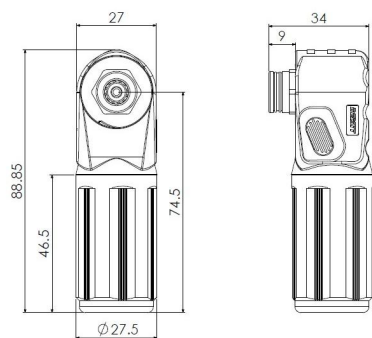


250A High current plug (Hexagonal interface-35mm²) (Orange)



Typecode PW08HO7PC01
ID 1010010000007

Technical Data*

Connector

| | |
|-----------------------|----------------------------|
| Contacts | Copper alloy silver-plated |
| Housing | PA66+GF,Orange |
| Sealing | SR |
| Flame retardant grade | UL94 V-0 |
| Protection class | IP67(inserted together) |
| Connection mode | Crimping |
| Working temperature | -40 °C ~ +125°C |

Electrical performance

| | |
|-----------------------|----------------------------|
| Rated voltage | 1500 V/DC |
| Rated current | 150 A MAX |
| Withstand voltage | DC 6800 V |
| Temperature rise | ≤45 K |
| Insulation resistance | 10000 MΩ(Room temperature) |
| Pollution degree | II |

Mechanical and chemical properties

| | |
|---------------------|--------------------|
| Insertion force | ≤75 N |
| Extraction force | ≤10 N |
| Mechanical lifespan | ≥100 Mating cycles |

Cable

| | |
|---------------------|--------------------|
| Cable cross-section | 35 mm ² |
| Cable diameter | 10.5 mm ~ 12 mm |

Approval

| | |
|-----|----------|
| UL | 4128 |
| TUV | 2pfg2740 |

Features

- 360° free rotation
- Protection against electric shock
- Anti misplug
- Push button unlocking
- RoHS-compliant

Commercial data

| | |
|-------------------|-------|
| Weight | 104 g |
| Packaging unit | 1 pc |
| Country of origin | CN |

* 这里所列的是设计数据，有关产品的变更不在此做说明，未尽事宜请联系客服。用户有责任验证功能、符合适用的法律和指令以及在特定应用中的电气安全。